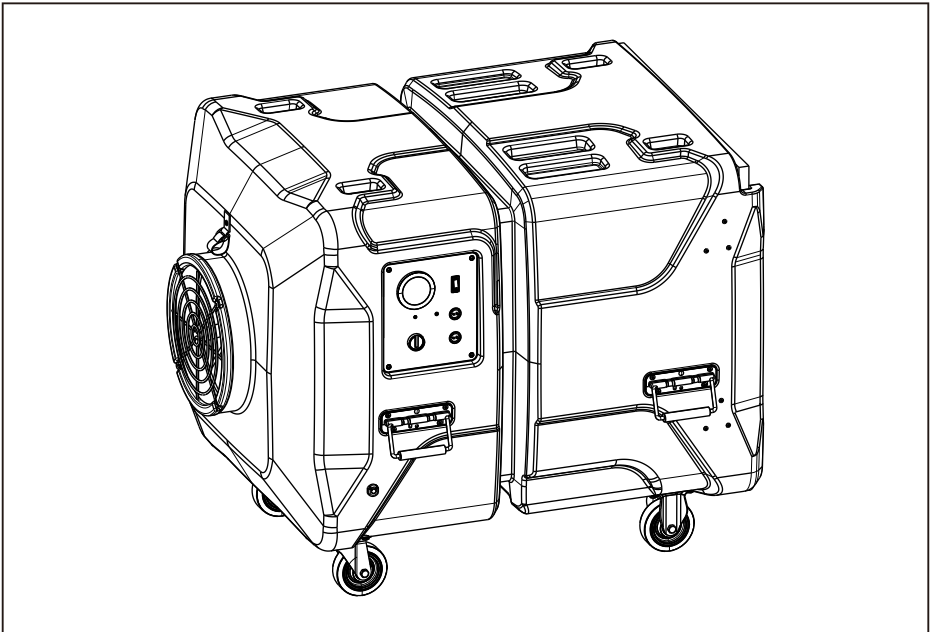




- ✓ **PuriCare S2**
- ✓ **PuriCare S2 UV**
- ✓ **PuriCare S2 UVIG**



Owner's Manual

READ AND KEEP THIS INSTRUCTION BOOK

E-mail: sales@purisystems.com

Add: 8605 SANTA MONICA BLVD #79525
WEST HOLLYWOOD, California, 90069 USA

Table of Contents

| | |
|----------------------|----|
| Safety Notes | 1 |
| Introduction | 2 |
| Application | 2 |
| Identification | 2 |
| How it Works | 3 |
| Key Features | 4 |
| Instructions | 5 |
| Filter | 6 |
| Specification | 8 |
| Wiring Diagram | 9 |
| Warranty | 10 |

WARNING!

PuriSystems PuriCare S2, S2 UV, and S2 UVIG should only be used with parts approved by PuriSystems. The use of unauthorized parts or any alteration to the machine will void the warranty. Contact the customer support for any assistance.

SAFETY NOTES

Fire Safety

- The unit with 3-prong power cord must be plugged in to a GFCI outlet.
- The unit is not stackable. Do not place heavy objects on the unit and the power cord.
- Check the power cord for wear, cuts, etc. before use. Do not use the machine with visible damage on the power cord.
- Check filter for any damages before use.
- Do not operate/touch the unit with wet hands.
- Turn the unit's power switch off before plugging the unit into a GFCI outlet.
- Do not use the machine if it's wet. Immediately unplug the unit if it gets in contact with water.
- Unplug the unit during thunder or thunderstorm
- Do not use or place this unit in a humid environment. This may cause of the electrical components to be wet.
- Do not use this unit near flammable equipment.
- Do not use this unit in a room/space with flammable gas.
- Do not restrict airflow by placing it near any obstructions or wall.
- When cleaning, unplug the unit first. Do not use wet cloth, wax or thinner.
- Do not put your hand or foreign object into the air inlet or outlet to avoid physical injury and product damage.
- When in use, turn off combustion equipment such as fireplace, furnaces, water heaters, ovens, stoves, burners, and many more.
- Always lock the casters especially when performing maintenance or repair to avoid collisions.
- Unplug the unit before performing maintenance or repair.

※ Keep this manual in a visible place near the machine for easy access.

INTRODUCTION

The PuriSystems PuriCare S2 is a convenient filtration system that cleans the air.

The PuriSystems PuriCare S2 uses an effective blend of air flow and advanced filtration to expel airborne particles like mold spores, dust, pollen, and pet dander. The PuriSystems PuriCare S2 is ideal for restoration jobs, including water, sewage, and fire.

APPLICATION

Odor Control

PuriSystems PuriCare S2, S2 UV, S2 UVIG is also excellent in odor control. Simply insert the activated carbon filter in the pre-filter slot. This filter can capture variety of odor-causing gas molecules such as volatile organic compounds (VOC's), smoke, soot and paint odors.

Other Use

The cleaner is also useful for many other applications. That includes mold repair, fire damage restoration, dust control, and sewage repair.

IDENTIFICATION

Congratulations on your purchase. To help you with future warranty claims, be sure to write your serial number and date of purchase on the text lines below.

Serial Number: _____

Date of Purchase: _____

HOW IT WORKS

When set to maximum airflow, the scrubber draws air through two types of filters—a pre-filter and a HEPA / Activated Carbon Filter.

1. Pre-filter

The first phase of filtration, the Pre-filter, Captures initial dust and allergen particles.

2. Pure HEPA Filter H13

The second phase of filtration, the Pure HEPA Filter, catches smaller particles, down to 0.3 microns. Contributes to the control and prevention of the growth of bacteria, germs, and mold. Captures 99.99% of dust and allergens.

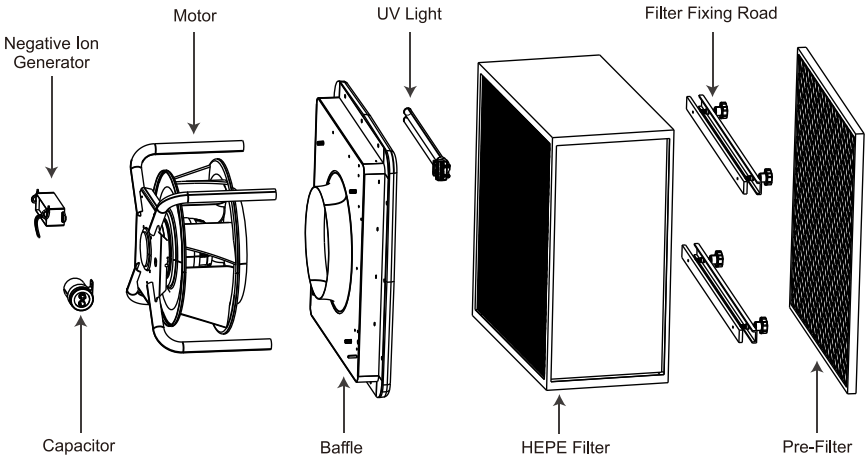
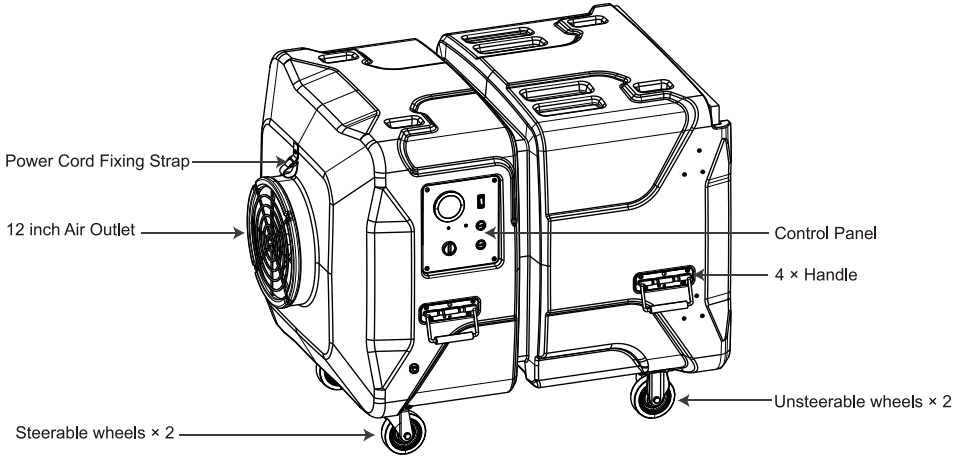
3. UV-C Light

UV-C light technology works with filters to enhance the elimination of airborne germs. Titanium Dioxide is activated by the UV-C light to decompose remaining odor molecules caused by smoking, cooking, and pets (Only for PuriCare S2 UV & S2 UVIG).

4. Ion Generator

The ion generator can be selected to work or not through the ion generator switch. Negative ions can lower blood pressure, improve sleep and lung function, invigorate people, and improve body imagination and immunity (Only for PuriCare S2 UVIG).

KEY FEATURES



INSTRUCTIONS

THE CONTROL PANEL

Circuit Breaker Switch

The circuit breaker switch is an automatically operated electrical switch designed to protect an electrical circuit from damage caused by excess current from an overload or short circuit. Its basic function is to interrupt current flow after a fault(10 Amps or more is being drawn) is detected.

Pressure Gauge

Display the filter pressure difference, and replace the filter. Please refer to the "Horizontal air scrubber different filter replacement standards" table on Page 7 for details.

Gear Switch

The machine doesn't work when the gear switch in "OFF". Rotate the knob to adjust the fan speed. With Activated Carbon Filter best fan speed.

UV-C Light Switch

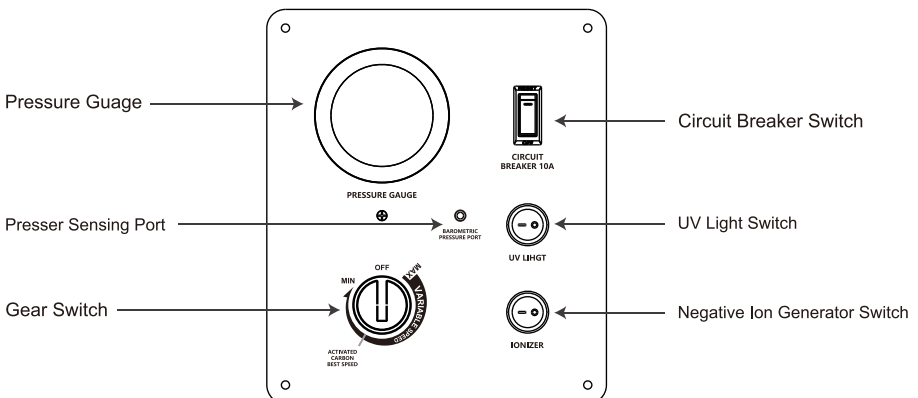
To turn ON/OFF the UV light.

Ion Generator Switch

To turn ON/OFF the ion generator.

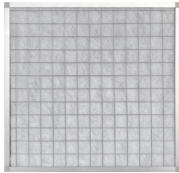
Pressure Sensing Port

Used for differential pressure gauge to detect the pressure value, pay attention to check whether the port is blocked before use.

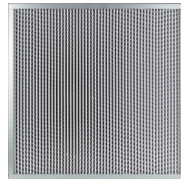


FILTER

Filter grade and size chart



1. Size : 27.0X26.0X0.8(inch)
2. An Aluminum frame is put around the outer edge. It can collect dust of 10~20µm up to 90% in accordance with the standard of weight method.



H13 FILTER

1. Size : 24.0X24.0X11.5 (inch)
2. It can collect dust of 0.3 µm up to 99.97% in accordance with the standard of weight method.



ACTIVATED CARBON FILTER

1. Size: 24.0X24.0X11.5(inch)
2. Activated carbon filter has efficient adsorption performance and can be used for air purification. The activated carbon filter material contains 100% surface adsorption capacity to remove volatile organic compounds (such as formaldehyde, toluene, hydrogen sulfide, chlorobenzene) and pollutants in the air.



H14 FILTER

1. Size: 24.0X24.0X11.5(inch)
2. The H14 Filter has an effective rate of 0.1 micron and 0.3 microns that reaches 99.998%, which makes this the most effective filter for pollutants such as smoke, dust, and bacteria.



F8 FILTER

1. Size: 24.0X24.0X11.5(inch)
 2. F8 medium efficiency filter
- Applicable models: PuriCare S2
Trap dust particles larger than 1 µm.



PAINT FILTER (F6)

1. Size: 24.0X24.0X11.5(inch)
 2. Paint filter (F6)
- Applicable models: PuriCare S2
It can effectively filter paint, oil, glass material, epoxy resin, tar, Teflon, liquefied workpiece, plastic, baking porcelain, dye, painting class, air drying porcelain, etc.

Note: The activated carbon filter, H14 filter, F8 filter and paint filter are sell separately.

WARNING

1. Do not operate without a HEPA filter! Failing to use a HEPA filter or using an unauthorized power cord may cause damage to the electrical system or mechanical parts.
2. When replacing the filter, please always wear approved protective equipment
3. Please strictly follow the “*Negative Air scrubber different filter replacement standards*” table to replace the filter.

Horizontal air scrubber different filter replacement standards

| Under certain conditions/requirements | Filter | Primary filter replacement requirements | High efficiency filter replacement requirements |
|---------------------------------------|-------------------------------------|--|--|
| Machine runs at a specific airflow | G3 filter + activated carbon filter | When the air volume knob is turned to the specific gear of activated carbon and when the differential pressure gauge shows a differential pressure value of 200pa , please clean or replace the primary filter. | When the differential pressure gauge shows a differential pressure value of 300pa , please replace the activated carbon filter. |
| Machine running at maximum airflow | G3 filter + H13 filter | When the differential pressure gauge shows a differential pressure value of 280pa , please clean or replace the primary filter. | When the differential pressure gauge shows a differential pressure value of 330pa , please replace the H13 high efficiency filter. |
| | G3 filter + F8 filter | When the differential pressure gauge shows a differential pressure value of 240pa , please clean or replace the primary filter. | When the differential pressure gauge shows a differential pressure value of 330pa , please replace the F8 high efficiency filter. |
| | G3 filter + H14 filter | When the differential pressure gauge shows a differential pressure value of 310pa , please clean or replace the primary filter. | When the differential pressure gauge shows a differential pressure value of 330pa , please replace the H14 high efficiency filter. |
| | G3 filter + paint mist filter | When the differential pressure gauge shows a differential pressure value of 220pa , please clean or replace the primary filter. | When the differential pressure gauge shows a differential pressure value of 330pa , please replace the paint mist high efficiency filter. |

Parts replacement

1. Change the filter

First turn off the unit, unplug the plug, pull up the Pre-filter, twist the internal fixed knob and remove the fixed rod, take out the HEPA filter, replace with a new HEPA filter, install the fixed rod after the replacement and tighten the knob, Insert a new Pre- filter, and the replacement is complete.

2. Change the UV-C Light

First turn off the unit, unplug the plug, pull up the Pre-filter, twist the internal fixed knob and remove the fixed rod, take out the HEPA filter, pull out the UV lamp to the left to separate it from the lamp holder, and remove the UV-C light. Replace with a new UV-C light, put in the HEPA filter, install the fixed rod and tighten the knob, insert the Pre-filter, and replace it.

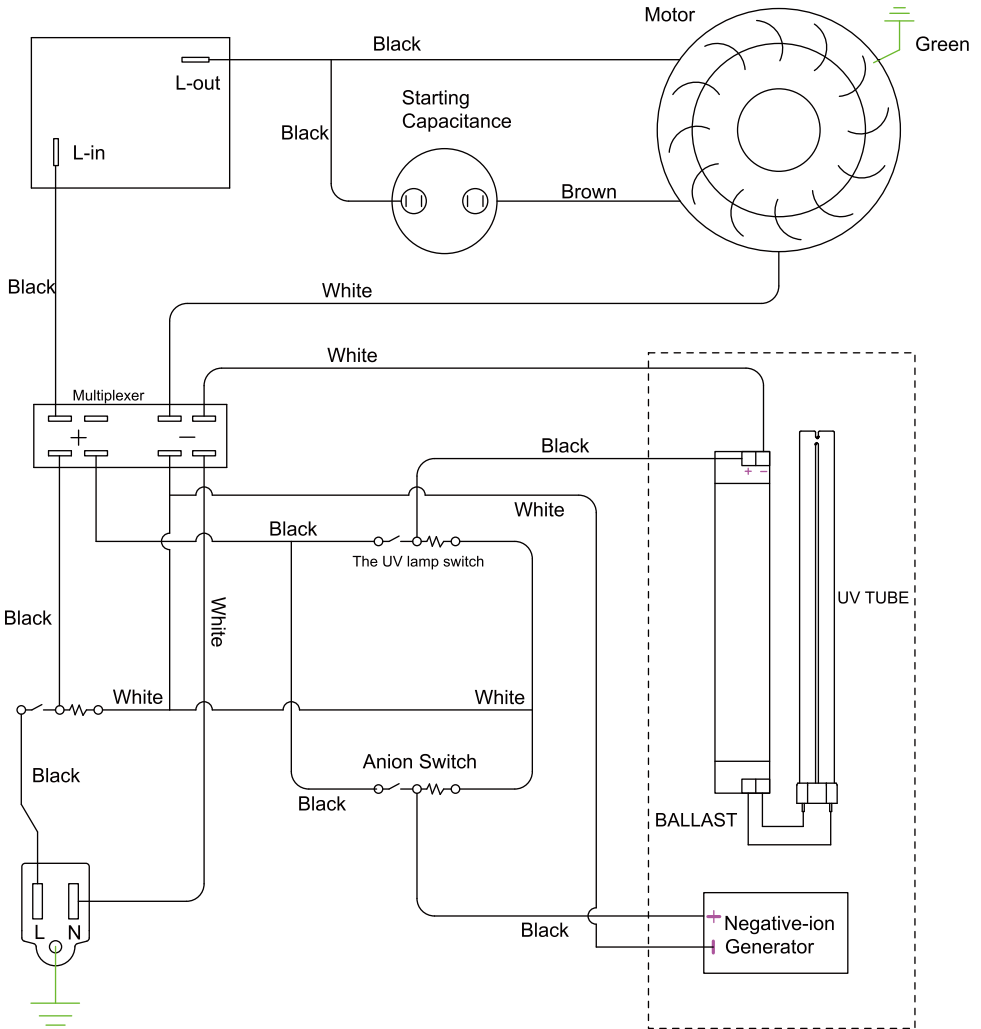
SPECIFICATION

| | | |
|----------|--------------------------------|--------------|
| Category | PuriSystems PuriCare S2 Series | |
| Power(V) | 115V AC 60Hz | |
| Power(W) | High: 600 kW | Low: 200 kW |
| Airflow | High: 2,000 CFM | Low: 800 CFM |
| Size | 39.76×29.33×32.68 inch | |
| Weight | 132.28 lbs | |

WARNING

- 1. Do not operate without a HEPA filter! Not using a HEPA filter or using an unauthorized power cord may cause damage to the electrical system or mechanical parts.**
- 2. When replacing the filter, please always wear approved protective equipment.**
- 3. Please strictly follow the “Horizontal air scrubber different filter replacement standards” table to replace the filter.**

WIRING DIAGRAM



WARRANTY

All warranty benefits apply to the original owner only. Warranty cannot be transferred or assigned.

1 YEAR (FROM DATE OF PURCHASE): PuriSystems warrants the unit's parts will operate free of defects in material or workmanship. This includes factory laborers. At its discretion, PuriSystems will replace defective parts, including factory labor. This does not include transportation costs.

Customer Responsibilities: In order to take advantage of the warranty service, the customer must do the following:

1. Customer must provide normal care and maintenance (including, but not limited to cleaning filters)
2. Removal and re-installation of unit is the sole responsibility of owner.
3. If customer cannot return unit to certified repair center, all costs associated with shipment are borne by the customer. In addition, all ancillary charges related to freight shipments, including but not limited to palletizing, wrapping, labeling, and pickup are associated with customer.
4. If shipped, customer is responsible for all risk of loss or damage.

PuriSystems Warranty Steps:

1. Once goods are received, customers must log in www.purisystems.com to fill out the warranty registration form and submit to Purisystems company. We will receive your purchasing and installation information and save it. If no warranty registration is sent to us, warranty period will begin the day the shipment left the warehouse. Please be sure to record serial # and date of installation. You will need this information to receive the RA number.
2. If warranty service is necessary, customers must contact Purisystems Tech Support by sales@purisystems.com or local technical service phone to receive a Return Authorization (RA number). Once an RA has been issued, customers should bring the unit to a certified repair center. Purisystems will arrange the shipping to bring the unit back to the Purisystems warehouse (at the expense of the customers) if customers are not available.
3. After the unit has been received by Purisystems (whether at a repair center or the warehouse), Purisystems will have an initial inspection. If it is determined to be an invalid warranty claim (see exclusions below), customers have to pay for all associated repair costs and shipping costs for units repair.
4. Customers can pick up the unit after repair at their own expense for shipping. Units will have a rigorous testing before sending it back to customers.
5. If the unit can no longer be fixed, and it is in the warranty period and determined to be a valid claim, we will ship the customer a new unit within the same year warranty from the date of replacement.
6. After parts are repaired or replaced by Purisystems, the original warranty period continues to apply until it meets its deadline. No extensions to the original warranty period.

IMPORTANT NOTICE: Keep the item's packaging in case warranty service is required.

Limited Warranty Exclusions

This limited warranty covers manufacturing defects in materials or workmanship encountered in normal household, commercial or noncommercial use of this product and shall not cover the following:

- Damage occurs in uses for which this product was not intended for.
- Damage caused by unauthorized modification or alteration of the product.
- Cosmetic damage including scratches, dents, chips, and other damage to the product's finishes.
- Damage caused by abuse, misuse, pest infestation, accident, fire, floods, or other acts of nature.
- Damage caused by incorrect electrical line current, voltage, fluctuations, and surges.
- Damage caused by failure to perform proper maintenance of the product.

The use of this product in SPA or a room with OUTDOOR POOL invalidate or voids limited warranty.

