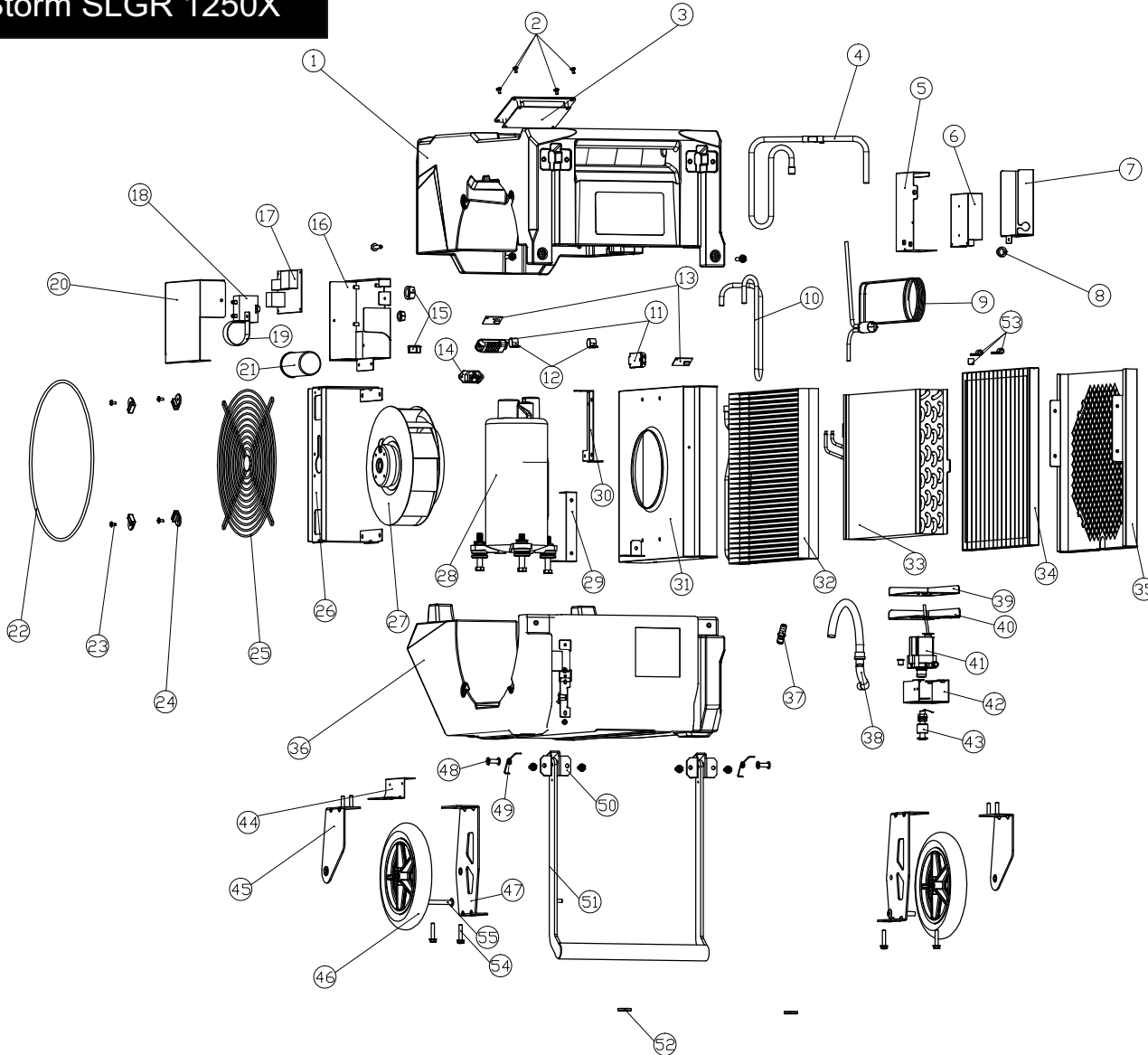




SPARE PARTS LIST
Storm SLGR 1250X



NO.	NAME MODEL	MATERIAL	QUANTITY
1	Upper shell	LLDPE	1
2	M4 * 8 screw	Stainless steel	4
3	Control board	Components	1
4	Low-pressure pipe	Copper tube	1
5	Switching power supply bracket	Galvanized sheet	1
6	Switching power supply	Components	1
7	Switching power supply cover	Galvanized sheet	1
8	Protective coil		1
9	Tee, capillary	Copper tube assembly	1
10	High pressure pipe	Copper tube	1
11	Humidity sensor box	PP	1
12	R type clamp	15mm	2
13	Humidity sensor	Components	1
14	Pin tailstock	ABS	1
15	Protective coil	20mm	1
16	Electric control box	Galvanized sheet	1
17	Motherboard	Components	1
18	Fan capacitance	14UF	1
19	Capacitor clip	Galvanized sheet	1
20	Electric control box cover	Galvanized sheet	1
21	Compressor capacitor	55UF	1
22	Wind circle	Stainless steel wire	1
23	M4 * 8 screw	Stainless steel	4
24	Outlet deck	Plastic	4
25	Outlet grille	Stainless steel	1
26	Motor bracket	Galvanized sheet	1
27	Motor	Components	1
28	compressor	Components	1
29	Condenser bracket	Galvanized sheet	1
30	Two device fixing bracket	Galvanized sheet	1
31	Wind guide	Galvanized sheet	1
32	Condenser	Components	1
33	Evaporator	Components	1
34	G4 filter		1
35	Inlet panel	Galvanized sheet	1
36	Lower case	LLDPE	1
37	pipe connector	Plastic	1
38	Water pipe	Components	1
39	Water baffle	Stainless steel	1
40	Water pump foam	PE	1
41	Water pump	Components	1
42	Pump bracket	Stainless steel	1
43	Float switch	Components	1
44	Electric control box bracket	Galvanized sheet	1
45	Caster bracket 1	Galvanized sheet	2
46	Caster	Components	2
47	Caster bracket 2	Galvanized sheet	1
48	M4 bushing	Stainless steel	2
49	spring	T1.5 steel wire	2
50	Handle bracket	45 # steel	2
51	Handle	Steel tube, Iron plate, Black matte plastic	1
52	Foot pad	TPV	2
53	R type clamp	8mm	3
54	M6 * 30 screw	Galvanized	4
55	M8 * 50 fixed shaft	Stainless steel	2